
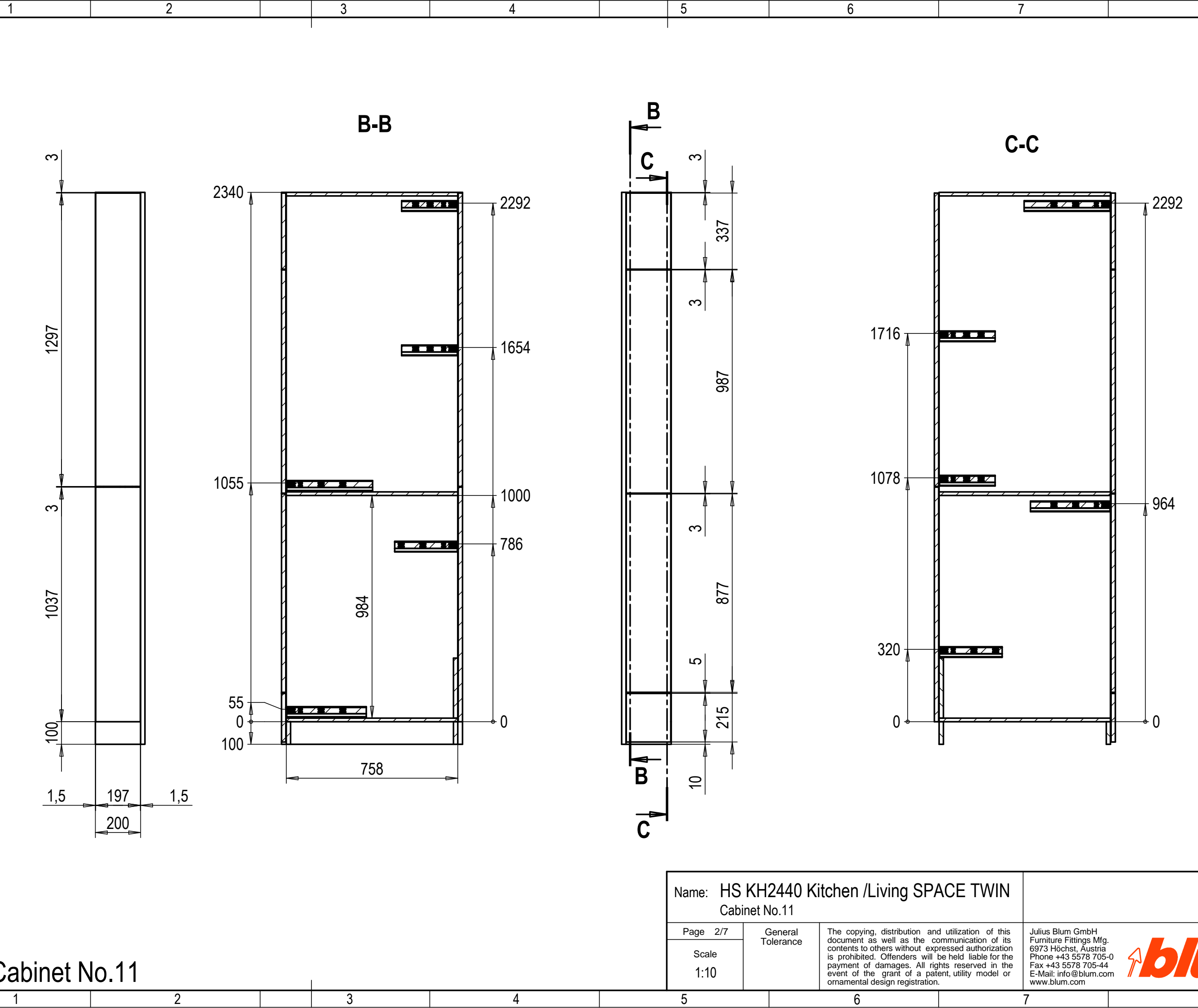


Cabinet No.11

Name: HS KH2440 Kitchen /Living SPACE TWIN Cabinet No.11			
Page 1/7	General Tolerance	The copying, distribution and utilization of this document as well as the communication of its contents to others without expressed authorization is prohibited. Offenders will be held liable for the payment of damages. All rights reserved in the event of the grant of a patent, utility model or ornamental design registration.	Julius Blum GmbH Furniture Fittings Mfg. 6973 Höchst, Austria Phone +43 5578 705-0 Fax +43 5578 705-44 E-Mail: info@blum.com www.blum.com
Scale 1:10			

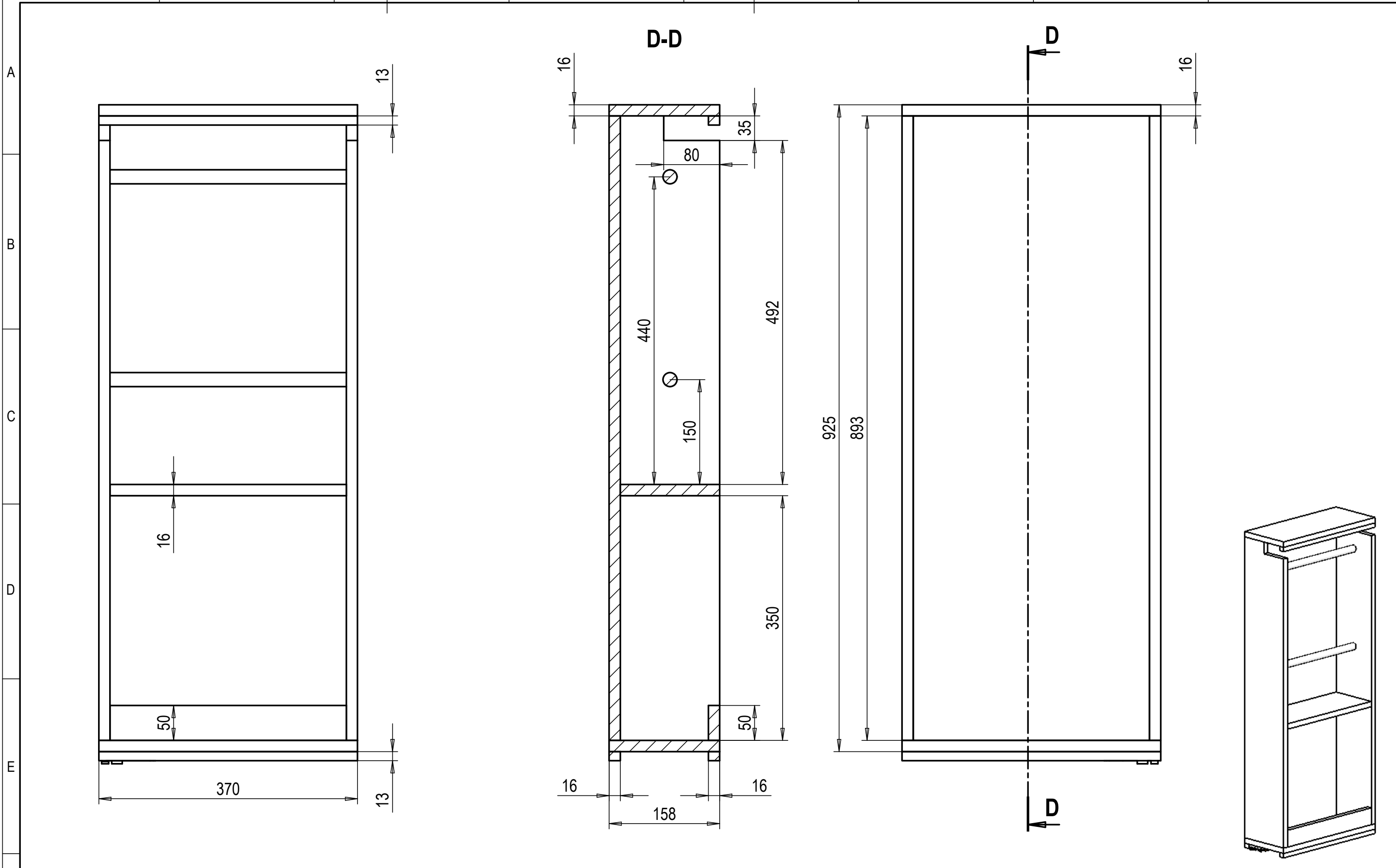


A
B
C
D
E
F




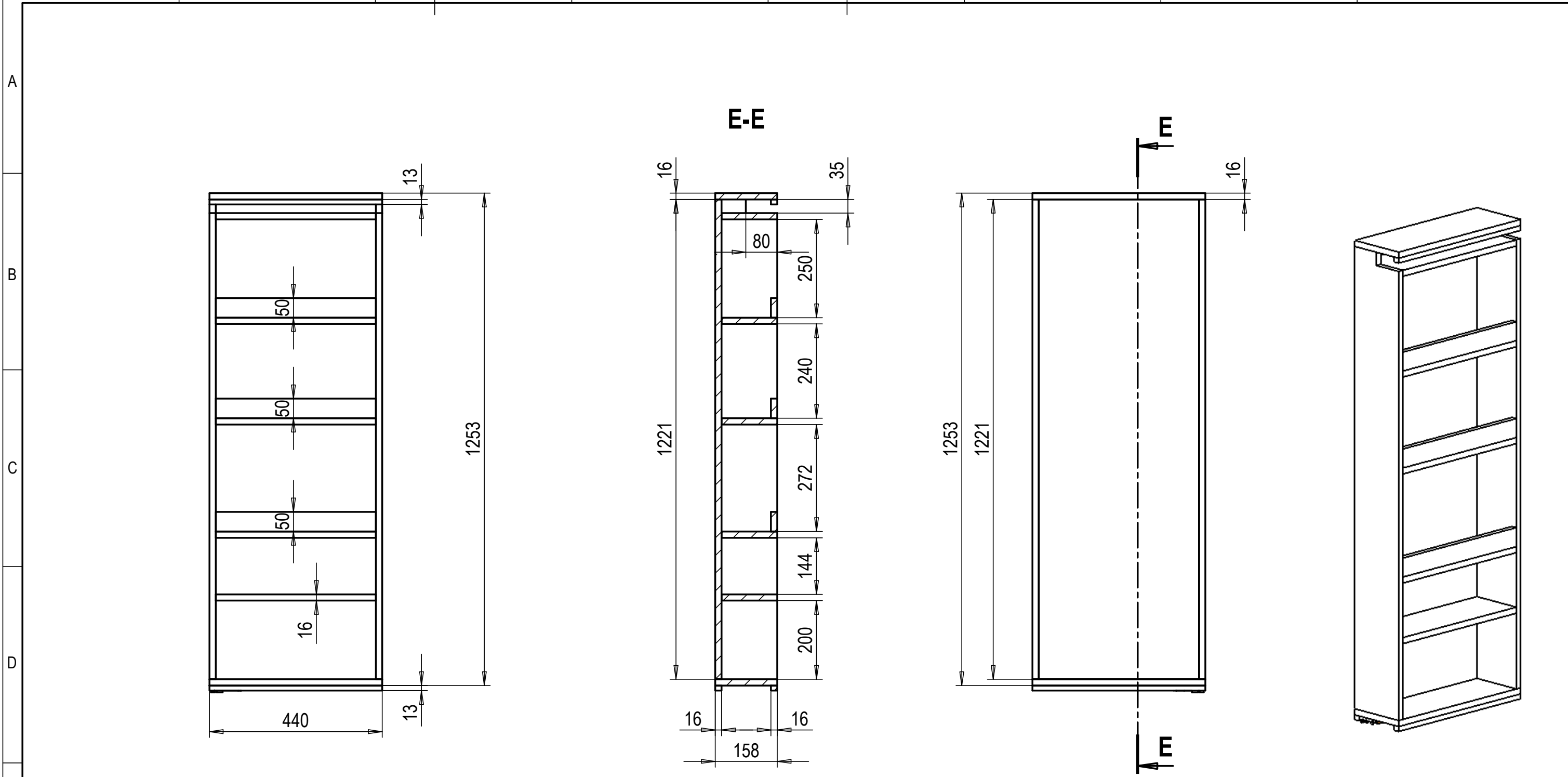
Cabinet No.11

Name: HS KH2440 Kitchen /Living SPACE TWIN Cabinet No.11			
Page 2/7	General Tolerance	The copying, distribution and utilization of this document as well as the communication of its contents to others without expressed authorization is prohibited. Offenders will be held liable for the payment of damages. All rights reserved in the event of the grant of a patent, utility model or ornamental design registration.	Julius Blum GmbH Furniture Fittings Mfg. 6973 Höchst, Austria Phone +43 5578 705-0 Fax +43 5578 705-44 E-Mail: info@blum.com www.blum.com
Scale 1:10			




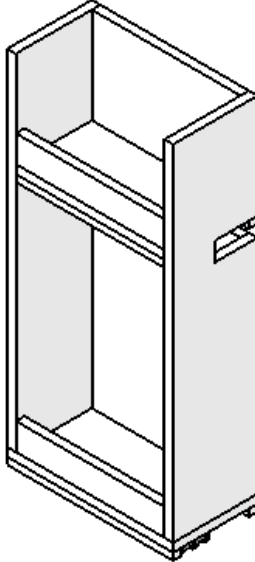
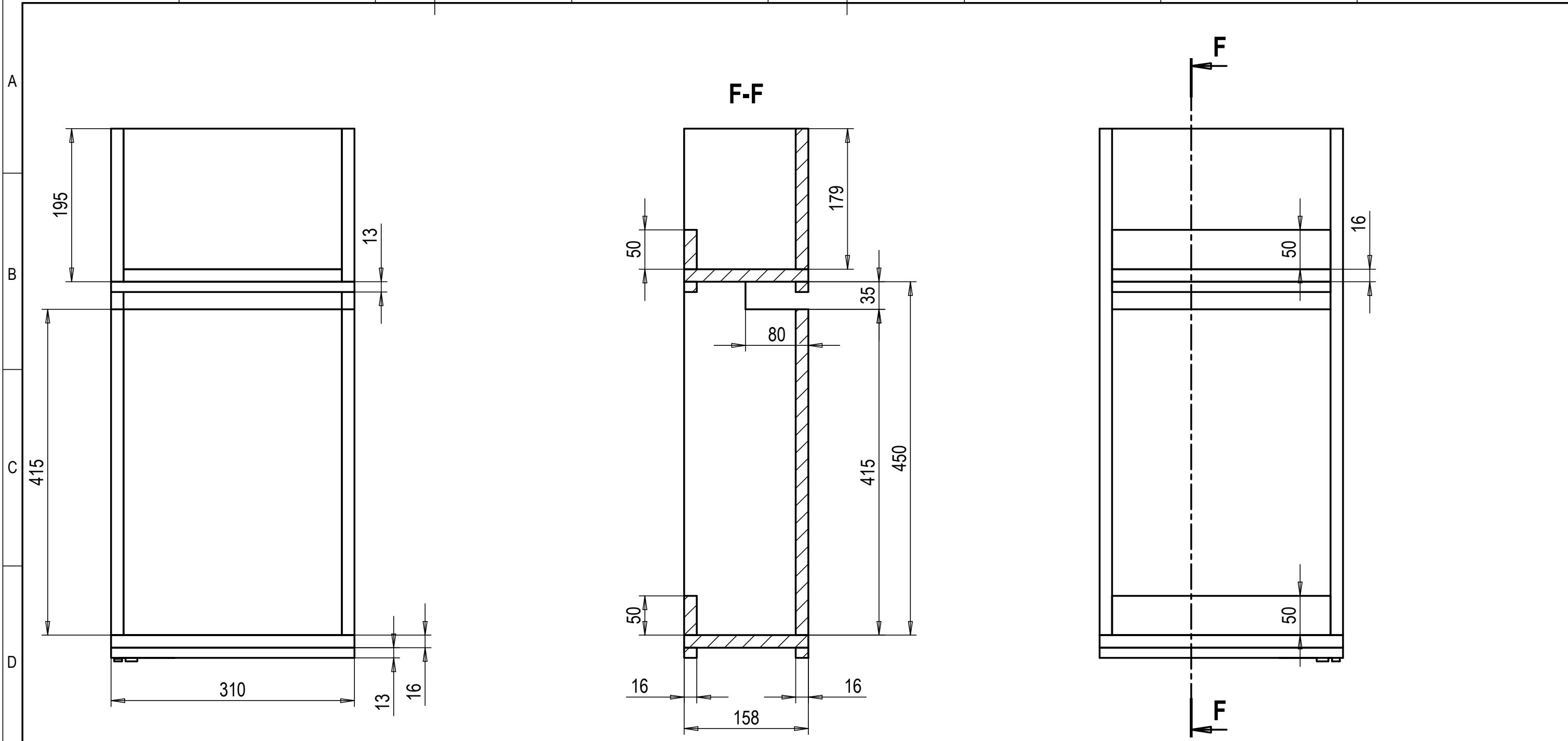
Detail pull-out No. 11.1

Name: HS KH2440 Kitchen /Living SPACE TWIN Cabinet No.11		The copying, distribution and utilization of this document as well as the communication of its contents to others without expressed authorization is prohibited. Offenders will be held liable for the payment of damages. All rights reserved in the event of the grant of a patent, utility model or ornamental design registration.	Julius Blum GmbH Furniture Fittings Mfg. 6973 Höchst, Austria Phone +43 5578 705-0 Fax +43 5578 705-44 E-Mail: info@blum.com www.blum.com	
Page 3/7	General Tolerance			
Scale 1:5				



Detail pull-out No. 11.2

Name: HS KH2440 Kitchen /Living SPACE TWIN Cabinet No.11		The copying, distribution and utilization of this document as well as the communication of its contents to others without expressed authorization is prohibited. Offenders will be held liable for the payment of damages. All rights reserved in the event of the grant of a patent, utility model or ornamental design registration.	Julius Blum GmbH Furniture Fittings Mfg. 6973 Höchst, Austria Phone +43 5578 705-0 Fax +43 5578 705-44 E-Mail: info@blum.com www.blum.com	
Page 4/7	General Tolerance			
Scale 1:10				

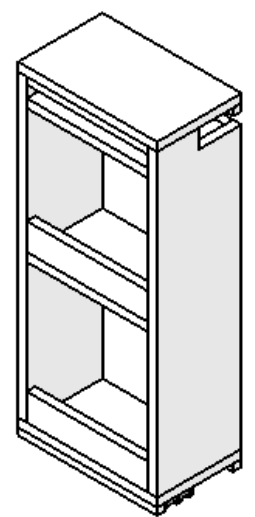
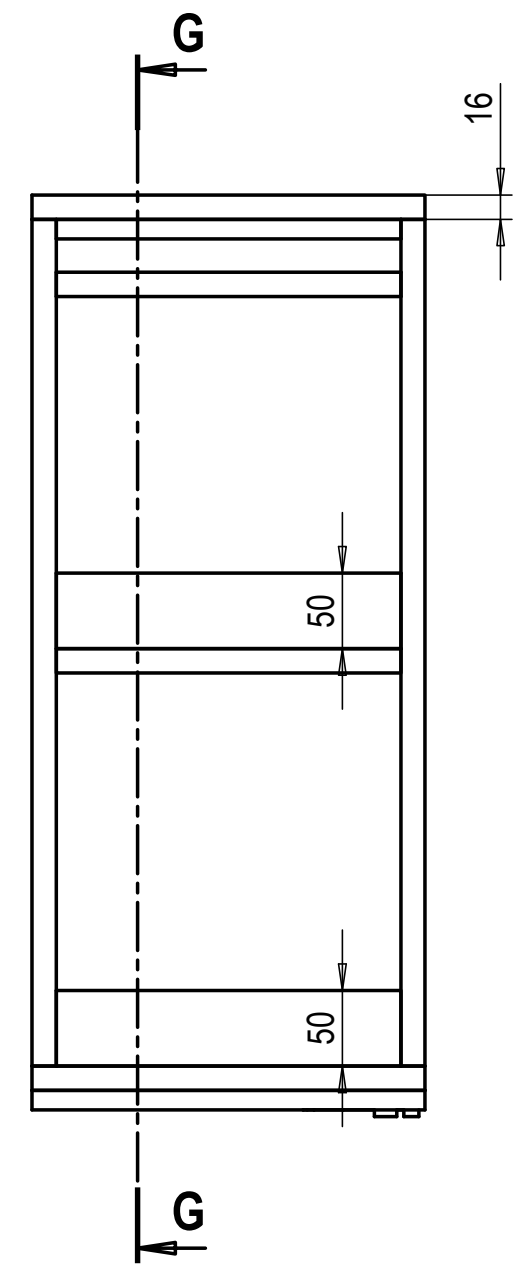
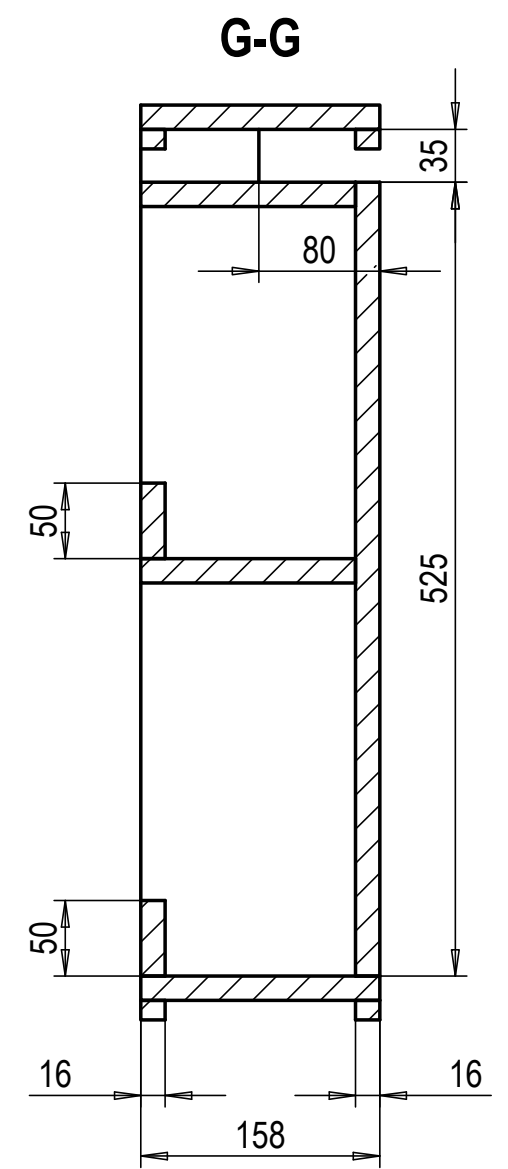
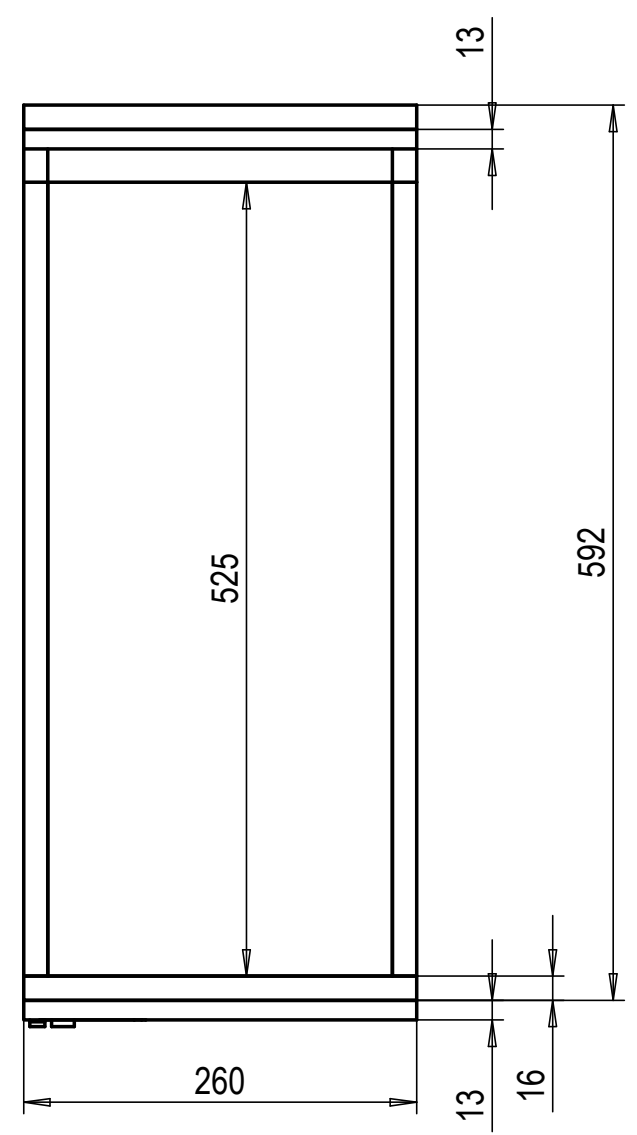


Detail pull-out No. 11.3

Name: HS KH2440 Kitchen /Living SPACE TWIN Cabinet No.11			
Page 5/7	General Tolerance	The copying, distribution and utilization of this document as well as the communication of its contents to others without expressed authorization is prohibited. Offenders will be held liable for the payment of damages. All rights reserved in the event of the grant of a patent, utility model or ornamental design registration.	Julius Blum GmbH Furniture Fittings Mfg. 6973 Höchst, Austria Phone +43 5578 705-0 Fax +43 5578 705-44 E-Mail: info@blum.com www.blum.com
Scale 1:5			

A
B
C
D
E
F

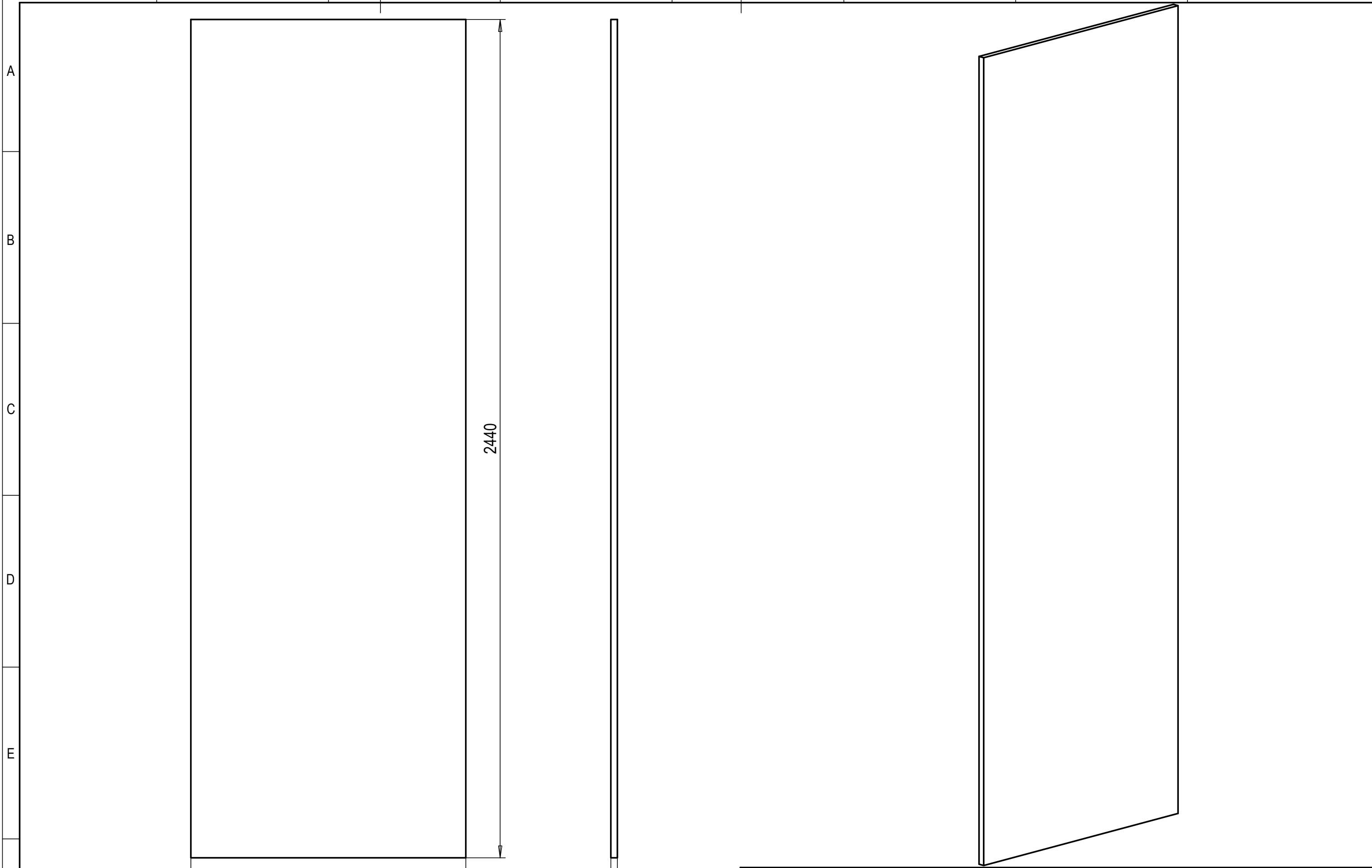
1 2 3 4 5 6 7 8



Detail pull-out No.11.4; No.11.5

Name: HS KH2440 Kitchen /Living SPACE TWIN Cabinet No.11			
Page 6/7	General Tolerance	The copying, distribution and utilization of this document as well as the communication of its contents to others without expressed authorization is prohibited. Offenders will be held liable for the payment of damages. All rights reserved in the event of the grant of a patent, utility model or ornamental design registration.	Julius Blum GmbH Furniture Fittings Mfg. 6973 Höchst, Austria Phone +43 5578 705-0 Fax +43 5578 705-44 E-Mail: info@blum.com www.blum.com
Scale 1:5			

1 2 3 4 5 6 7 8

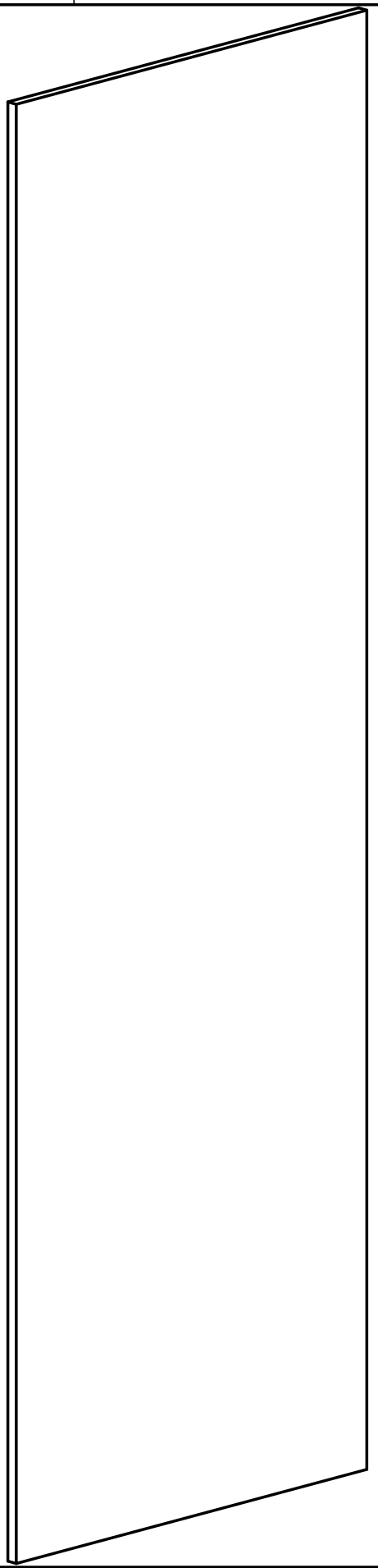
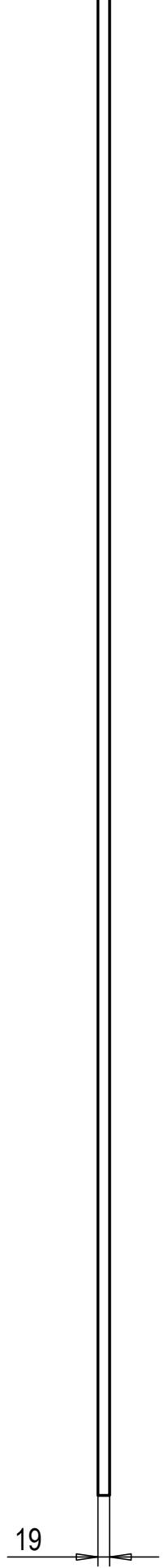
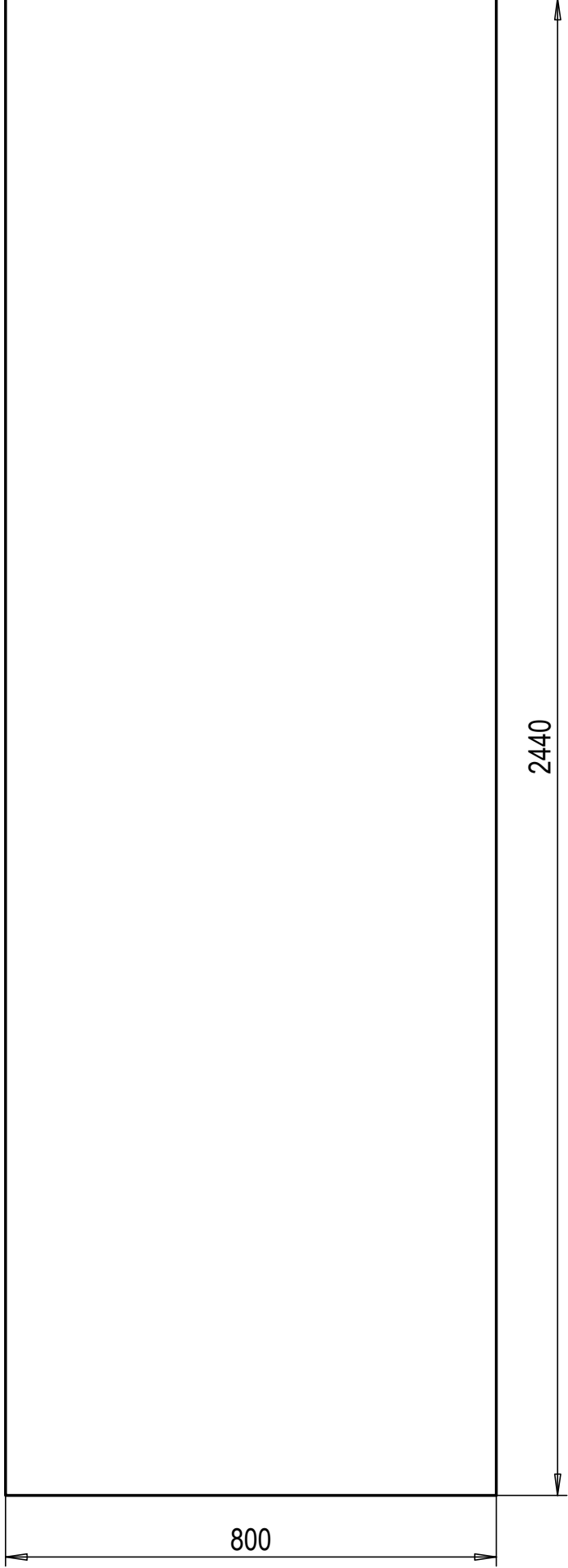


A
B
C
D
E
F

A
B
C
D
E
F

1 2 3 4 5 6 7 8

1 2 3 4 5 6 7 8



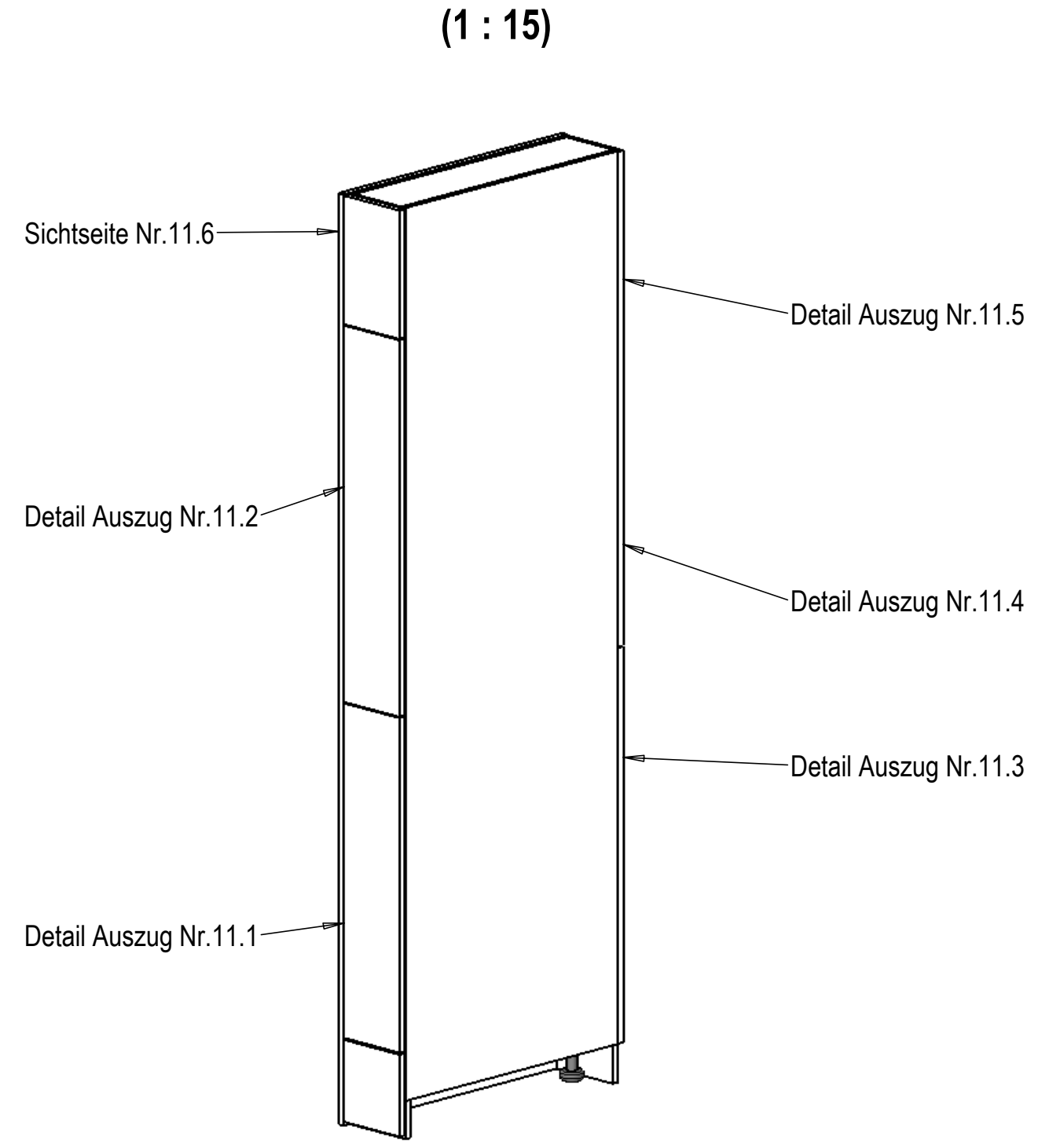
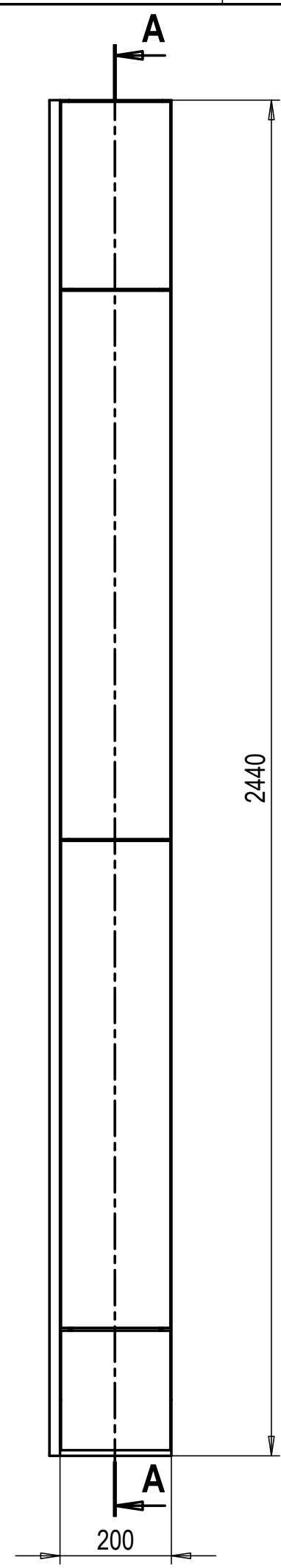
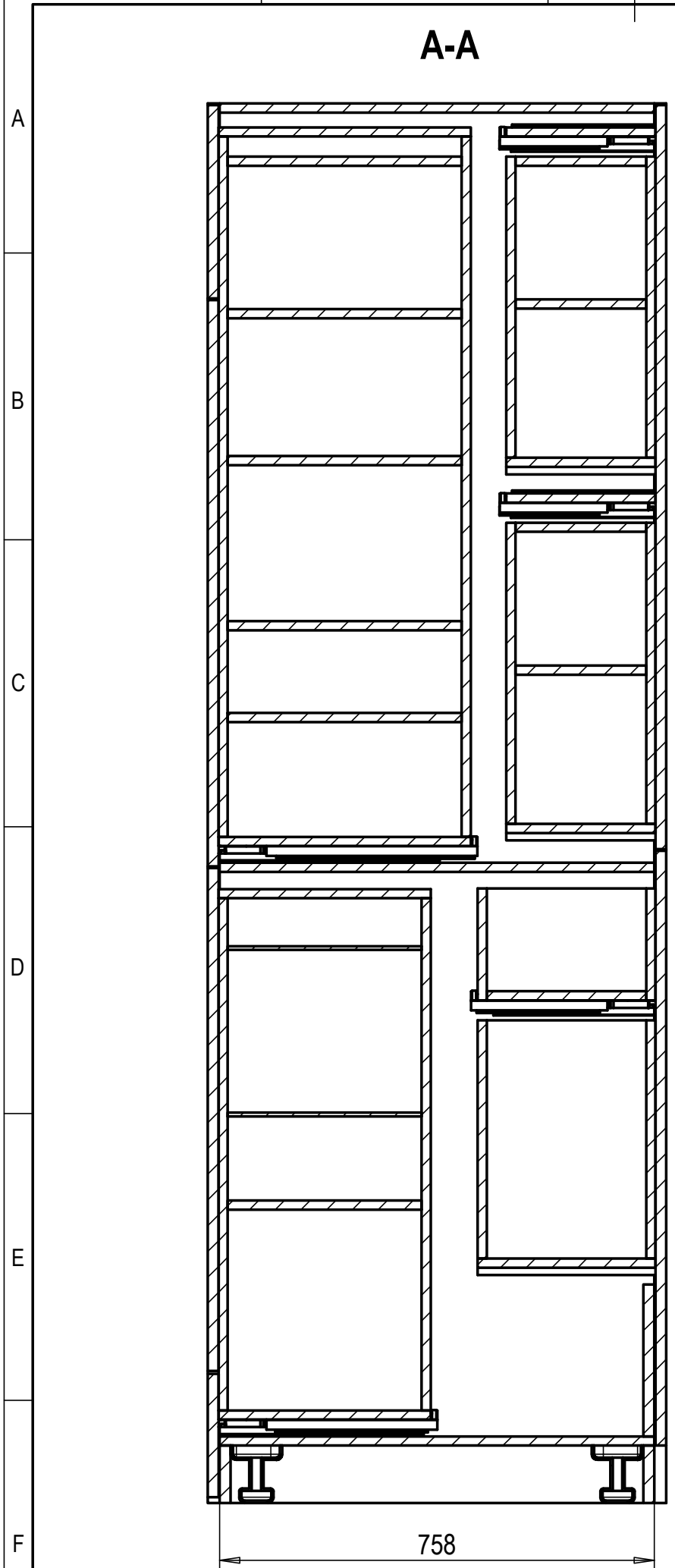
800

2440

19

Side panel No.11.6

Name: HS KH2440 Kitchen /Living SPACE TWIN Cabinet No.11			
Page 7/7	General Tolerance	The copying, distribution and utilization of this document as well as the communication of its contents to others without expressed authorization is prohibited. Offenders will be held liable for the payment of damages. All rights reserved in the event of the grant of a patent, utility model or ornamental design registration.	Julius Blum GmbH Furniture Fittings Mfg. 6973 Höchst, Austria Phone +43 5578 705-0 Fax +43 5578 705-44 E-Mail: info@blum.com www.blum.com
Scale 1:10			



Schrank Nr.11

Name: HS KH2440 Kueche / Wohnen SPACE TWIN
Schrank Nr.11

Page 1/7
Scale 1:10

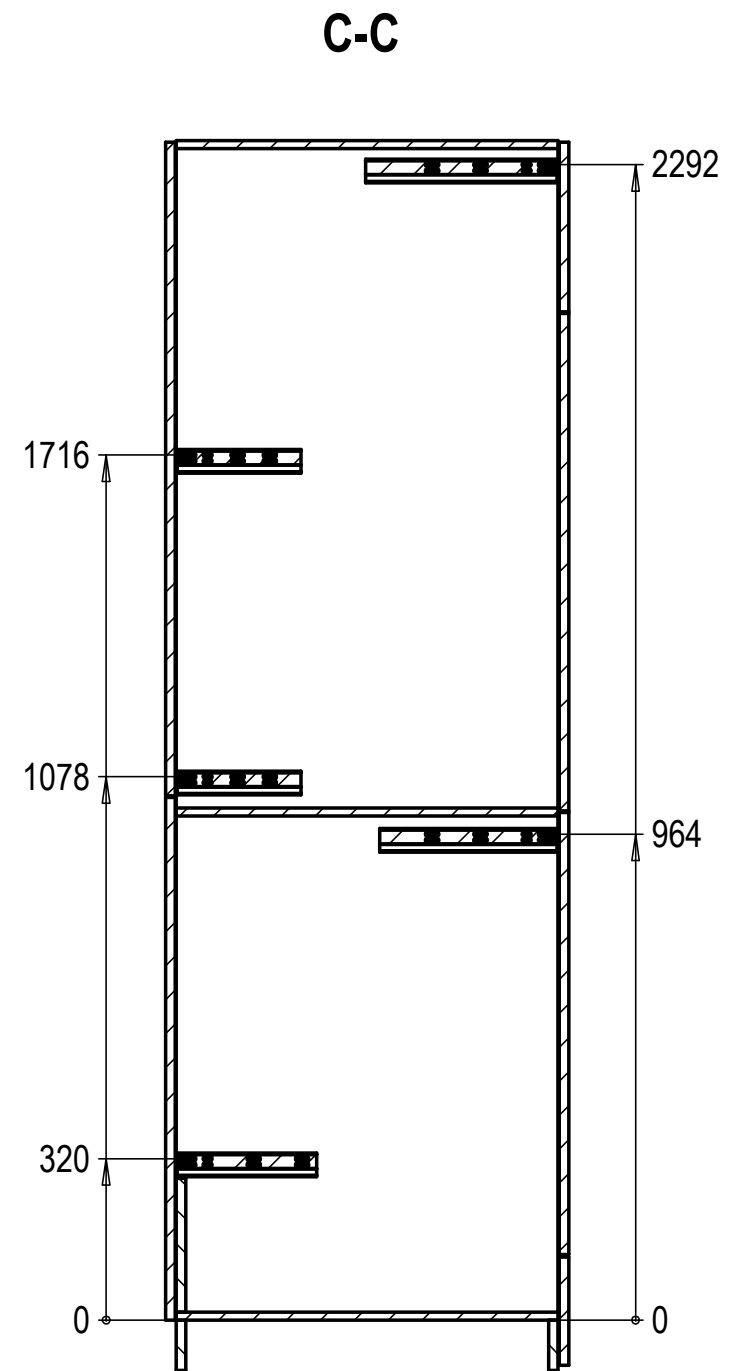
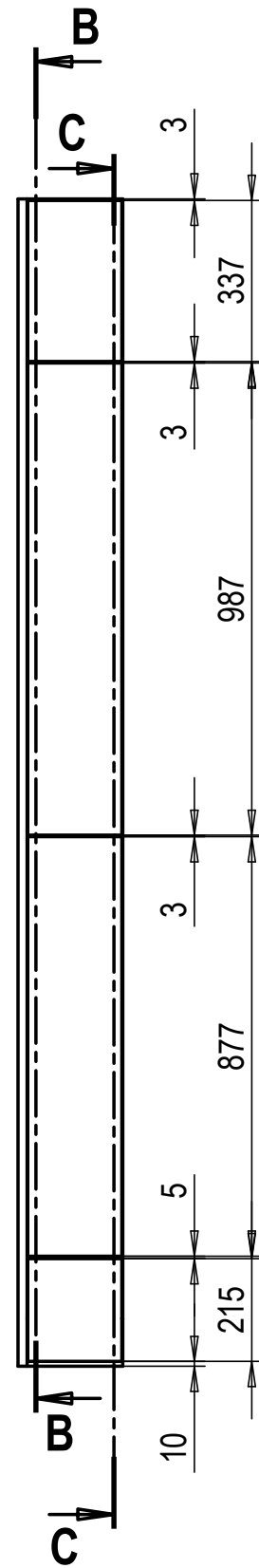
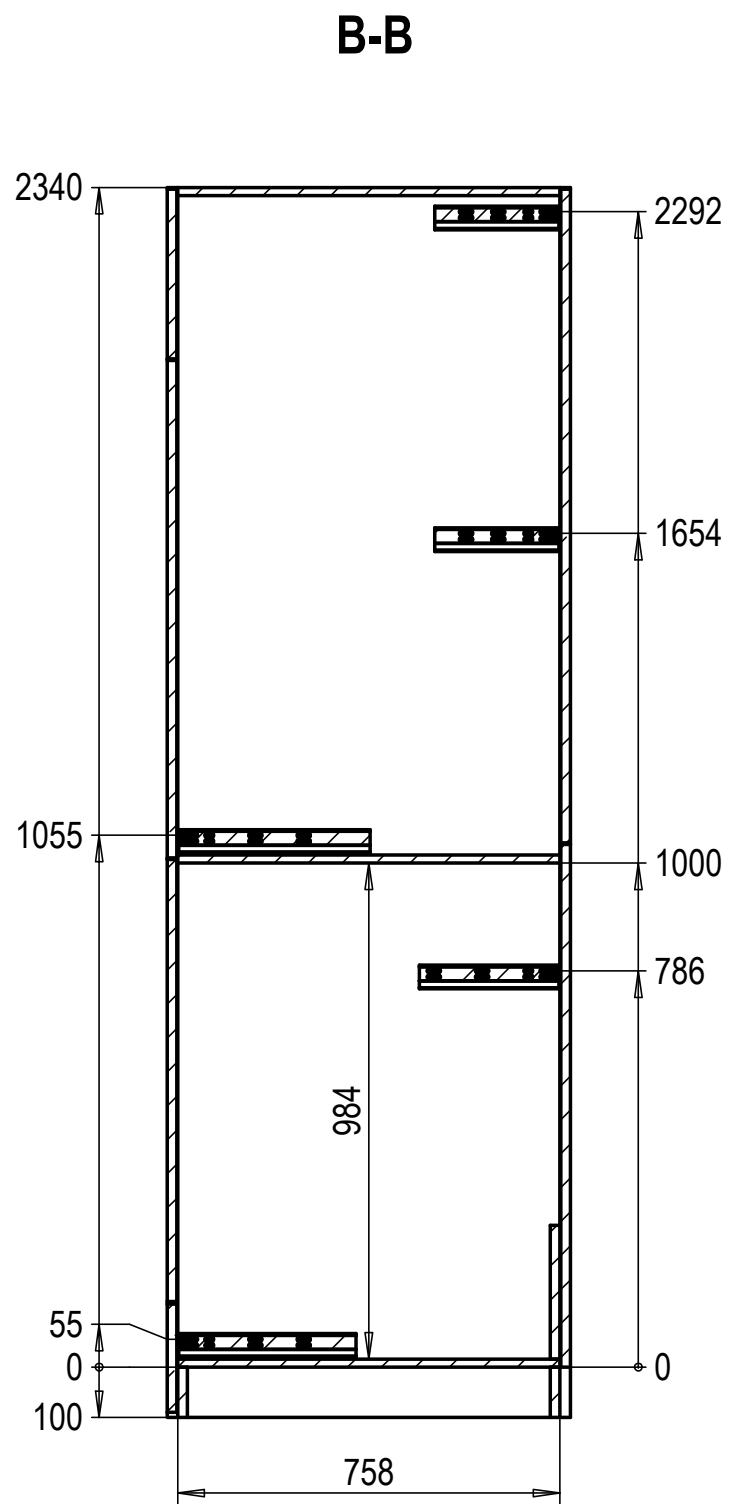
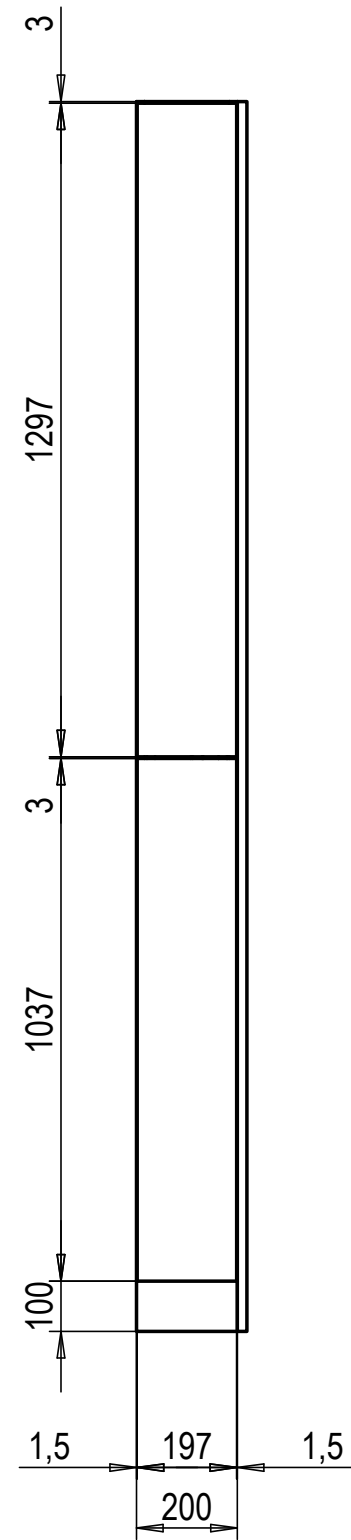
General Tolerance

The copying, distribution and utilization of this document as well as the communication of its contents to others without expressed authorization is prohibited. Offenders will be held liable for the payment of damages. All rights reserved in the event of the grant of a patent, utility model or ornamental design registration.

Julius Blum GmbH
Furniture Fittings Mfg.
6973 Höchst, Austria
Phone +43 5578 705-0
Fax +43 5578 705-44
E-Mail: info@blum.com
www.blum.com



A
B
C
D
E
F



Schrank Nr.11

Name: HS KH2440 Kueche / Wohnen SPACE TWIN
Schrank Nr.11

Page 2/7

Scale
1:10

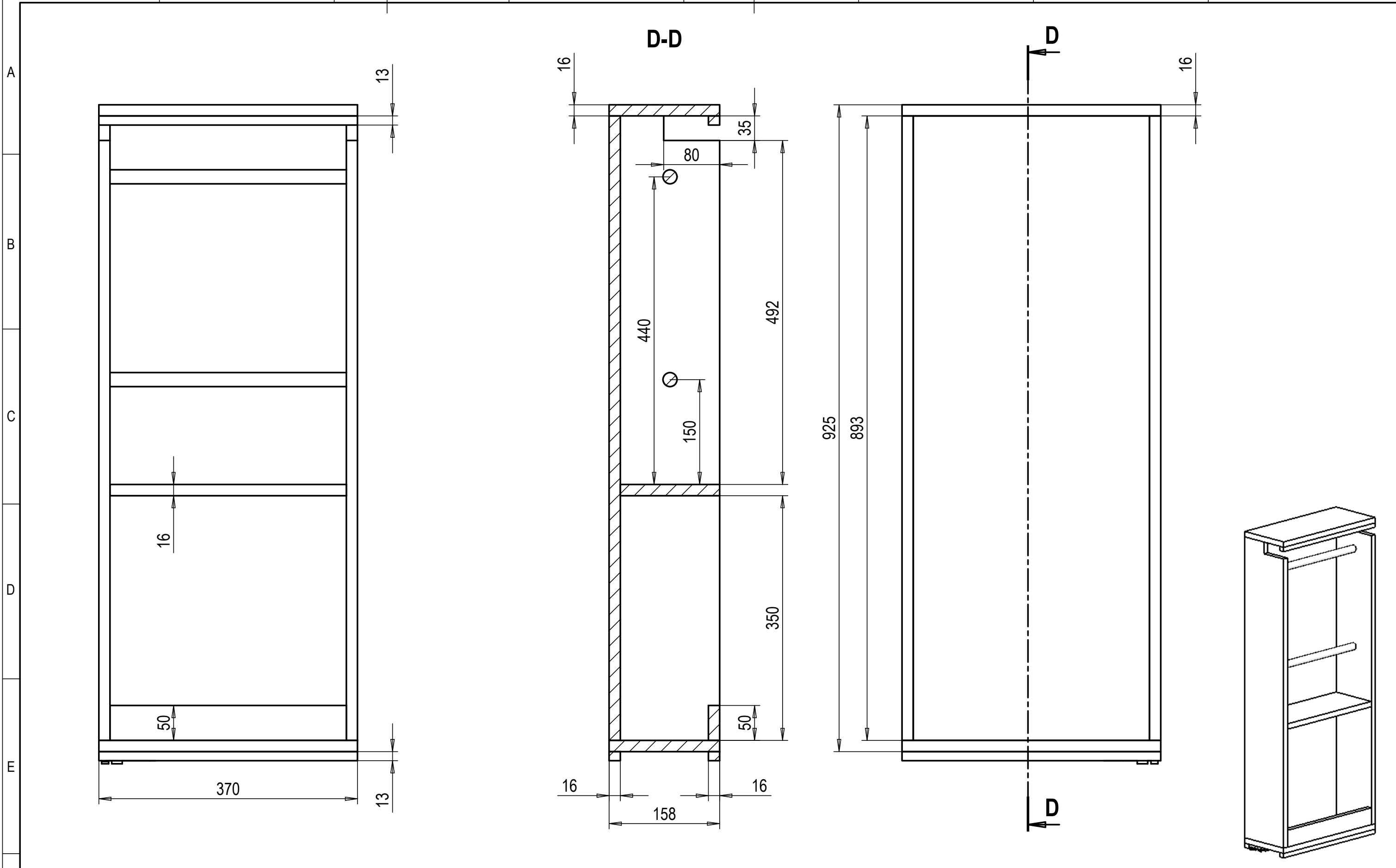
General
Tolerance

The copying, distribution and utilization of this document as well as the communication of its contents to others without expressed authorization is prohibited. Offenders will be held liable for the payment of damages. All rights reserved in the event of the grant of a patent, utility model or ornamental design registration.


Julius Blum GmbH
Furniture Fittings Mfg.
6973 Höchst, Austria
Phone +43 5578 705-0
Fax +43 5578 705-44
E-Mail: info@blum.com
www.blum.com

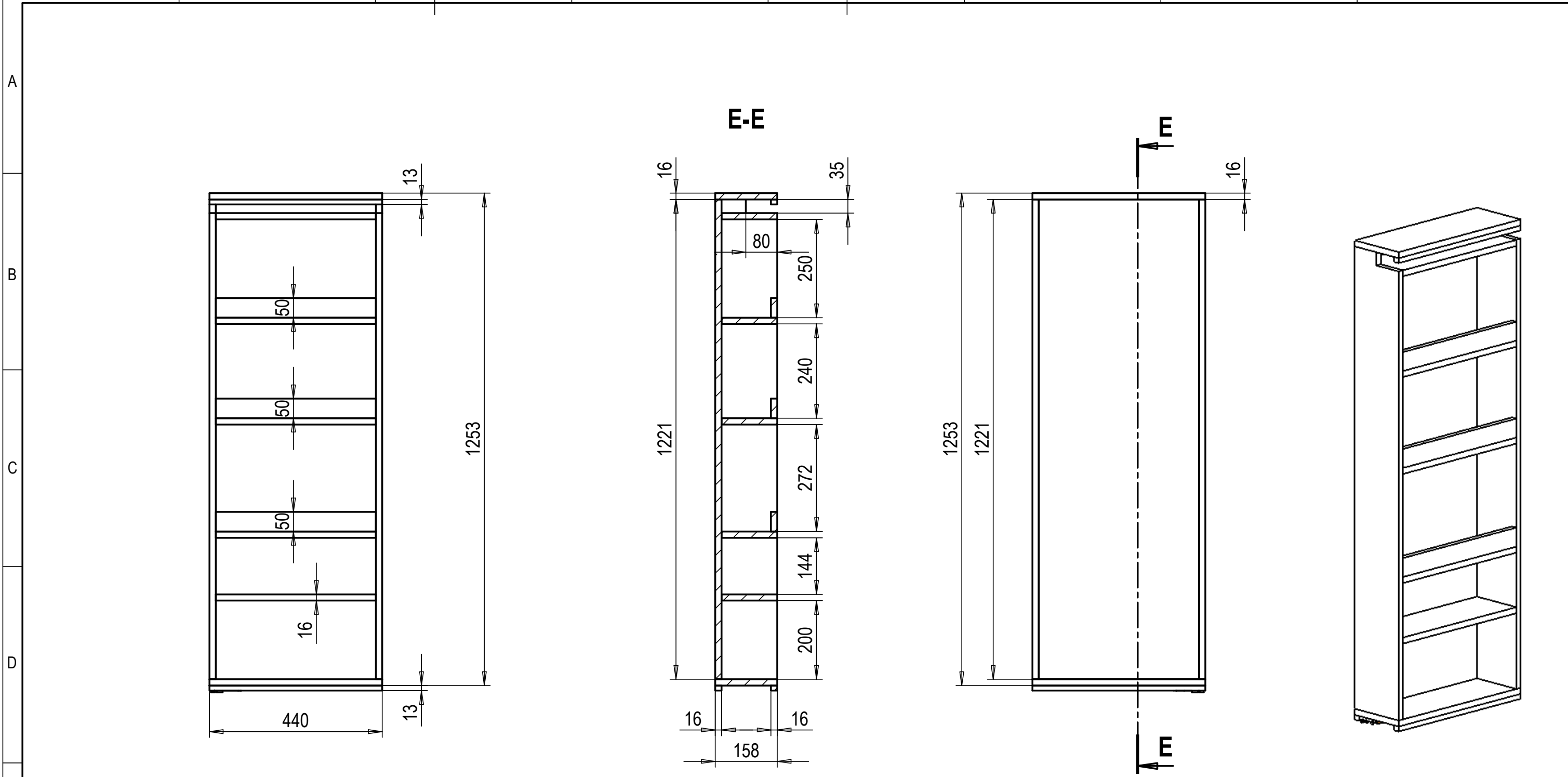


1 2 3 4 5 6 7 8



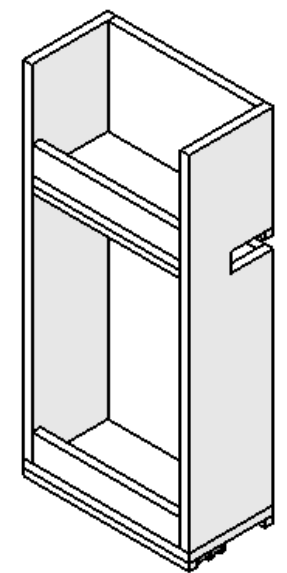
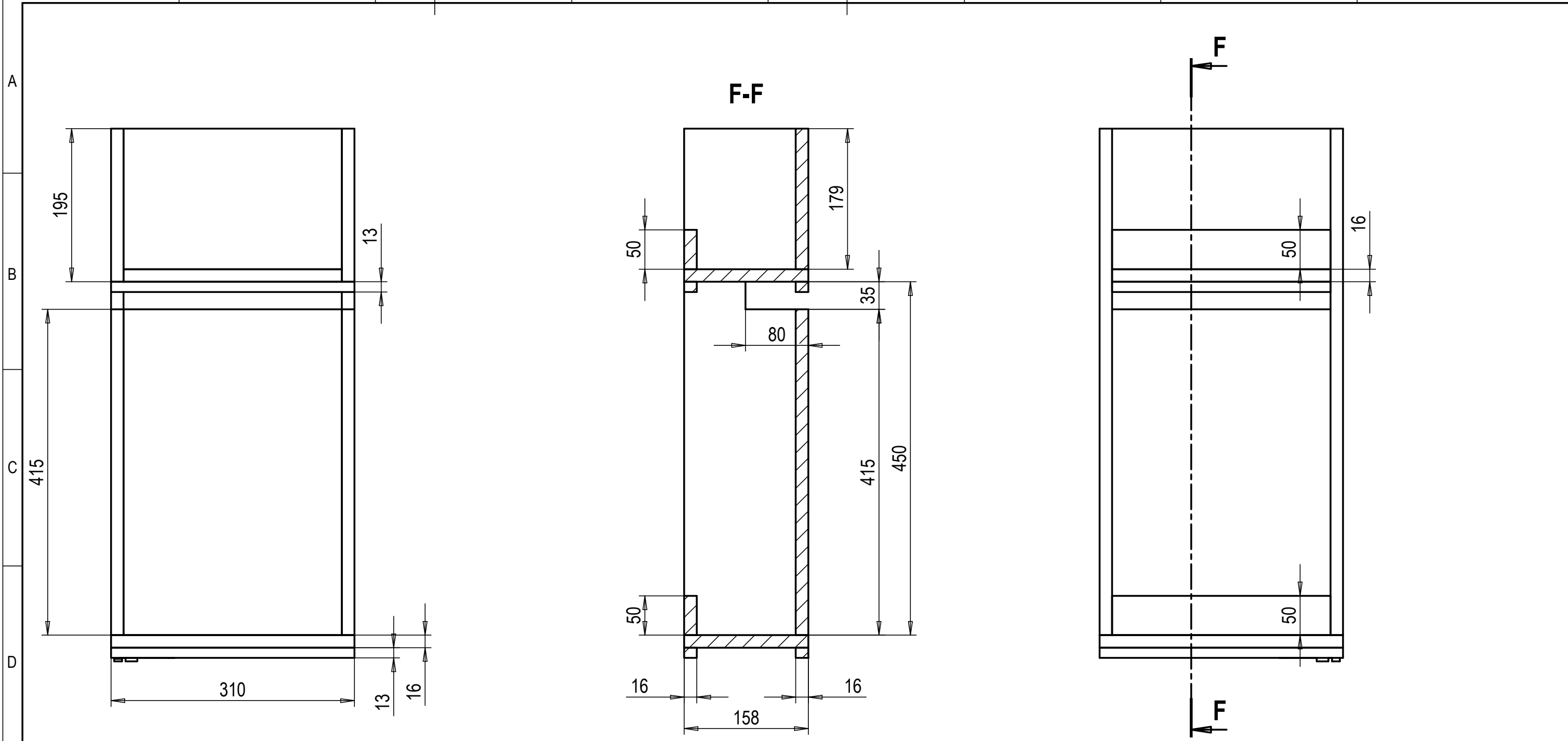
Detail Auszug Nr. 11.1

Name: HS KH2440 Kueche / Wohnen SPACE TWIN Schrank Nr.11		The copying, distribution and utilization of this document as well as the communication of its contents to others without expressed authorization is prohibited. Offenders will be held liable for the payment of damages. All rights reserved in the event of the grant of a patent, utility model or ornamental design registration.	Julius Blum GmbH Furniture Fittings Mfg. 6973 Höchst, Austria Phone +43 5578 705-0 Fax +43 5578 705-44 E-Mail: info@blum.com www.blum.com
Page 3/7	General Tolerance		
Scale 1:5			



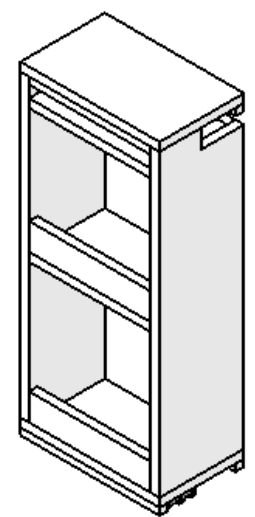
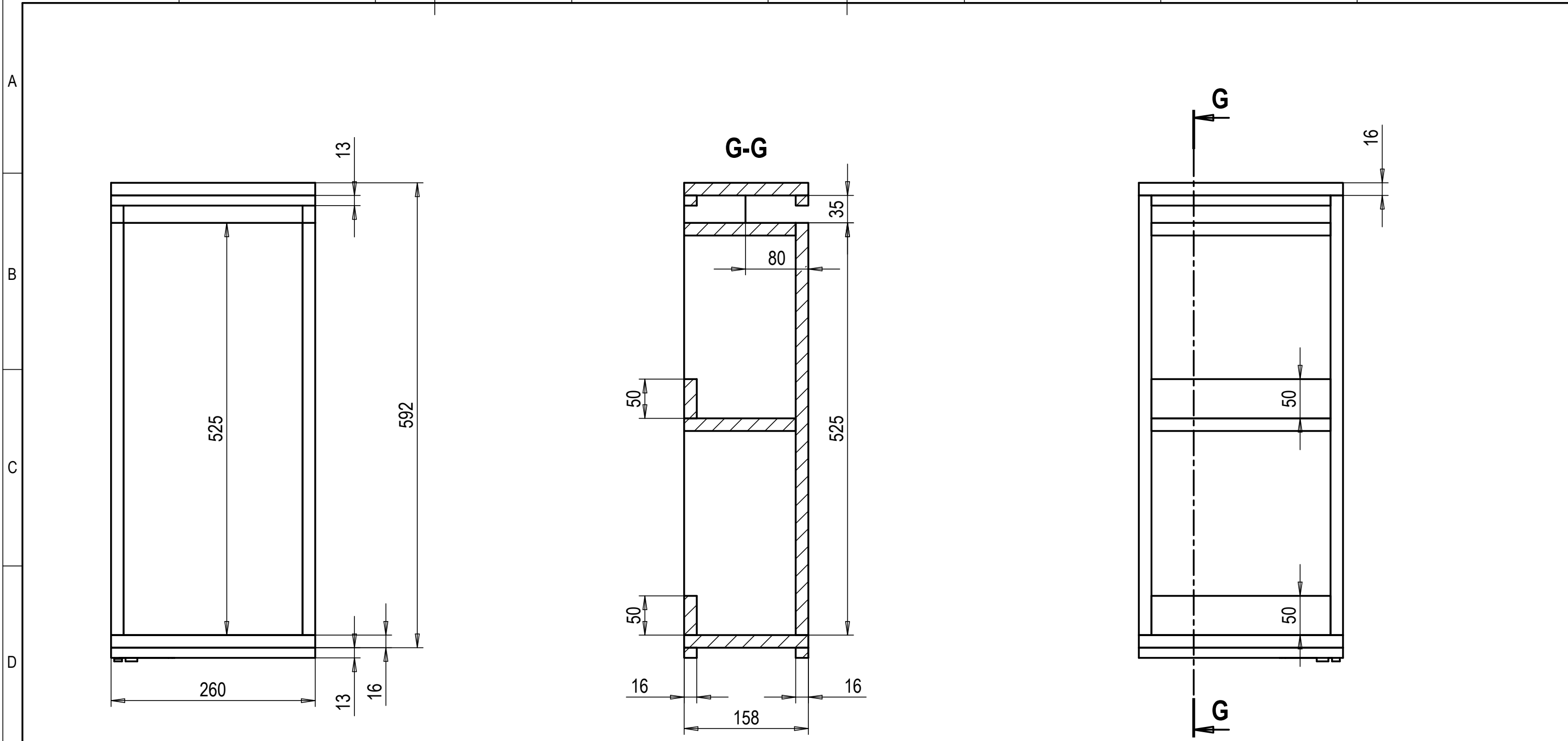
Detail Auszug Nr. 11.2

Name: HS KH2440 Kueche / Wohnen SPACE TWIN Schrank Nr.11			
Page 4/7	General Tolerance	The copying, distribution and utilization of this document as well as the communication of its contents to others without expressed authorization is prohibited. Offenders will be held liable for the payment of damages. All rights reserved in the event of the grant of a patent, utility model or ornamental design registration.	Julius Blum GmbH Furniture Fittings Mfg. 6973 Höchst, Austria Phone +43 5578 705-0 Fax +43 5578 705-44 E-Mail: info@blum.com www.blum.com
Scale 1:10			



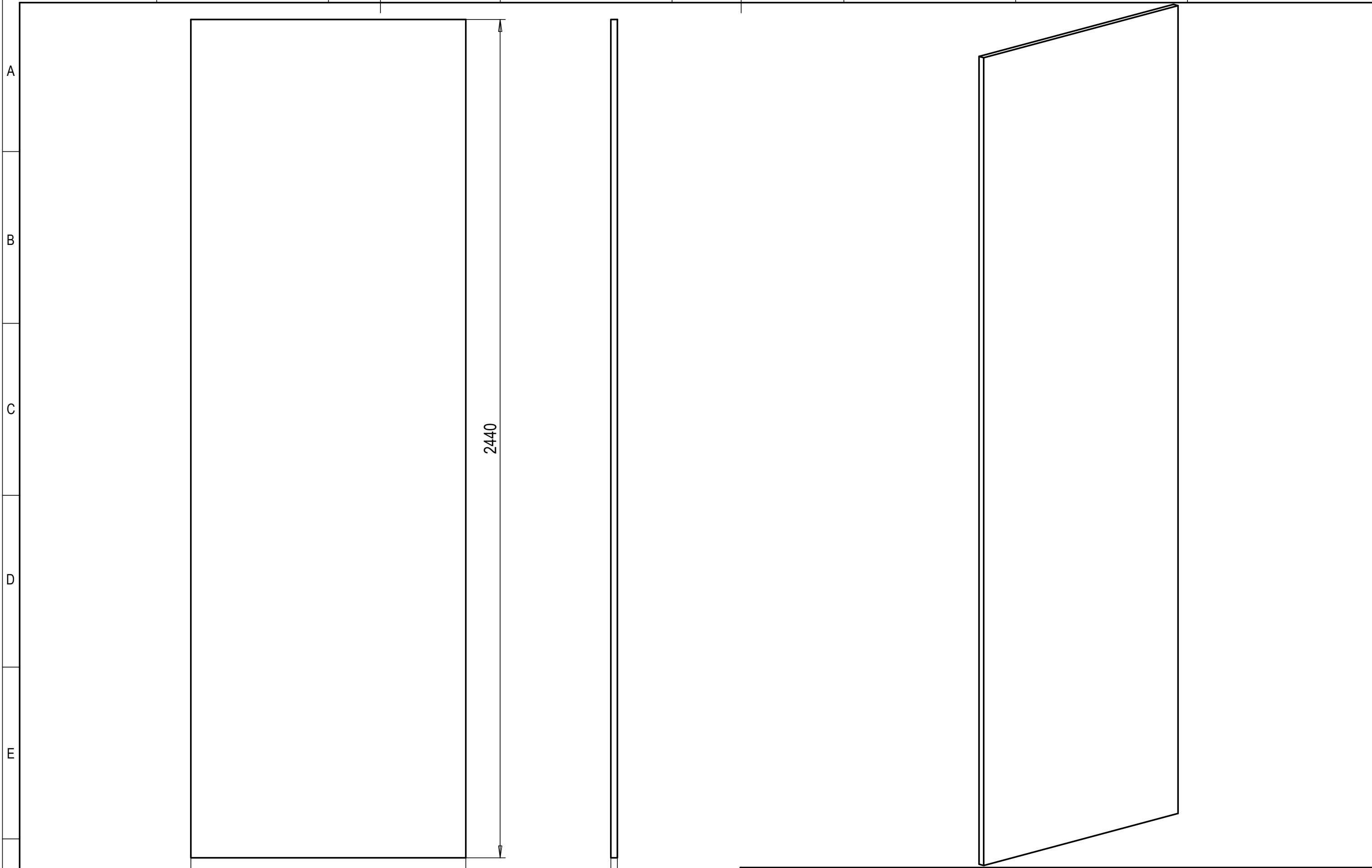
Detail Auszug Nr. 11.3

Name: HS KH2440 Kueche / Wohnen SPACE TWIN Schrank Nr.11			
Page 5/7	General Tolerance	The copying, distribution and utilization of this document as well as the communication of its contents to others without expressed authorization is prohibited. Offenders will be held liable for the payment of damages. All rights reserved in the event of the grant of a patent, utility model or ornamental design registration.	Julius Blum GmbH Furniture Fittings Mfg. 6973 Höchst, Austria Phone +43 5578 705-0 Fax +43 5578 705-44 E-Mail: info@blum.com www.blum.com
Scale 1:5			



Detail Auszug Nr. 11.4; Nr.11.5

Name: HS KH2440 Kueche / Wohnen SPACE TWIN Schrank Nr.11			
Page 6/7	General Tolerance	The copying, distribution and utilization of this document as well as the communication of its contents to others without expressed authorization is prohibited. Offenders will be held liable for the payment of damages. All rights reserved in the event of the grant of a patent, utility model or ornamental design registration.	Julius Blum GmbH Furniture Fittings Mfg. 6973 Höchst, Austria Phone +43 5578 705-0 Fax +43 5578 705-44 E-Mail: info@blum.com www.blum.com
Scale 1:5			



Sichtseite Nr.11.6

Name: HS KH2440 Kueche / Wohnen SPACE TWIN Schrank Nr.11		The copying, distribution and utilization of this document as well as the communication of its contents to others without expressed authorization is prohibited. Offenders will be held liable for the payment of damages. All rights reserved in the event of the grant of a patent, utility model or ornamental design registration.	Julius Blum GmbH Furniture Fittings Mfg. 6973 Höchst, Austria Phone +43 5578 705-0 Fax +43 5578 705-44 E-Mail: info@blum.com www.blum.com
Page 7/7	General Tolerance		
Scale 1:10			